



佳能企業股份有限公司
ABILITY ENTERPRISE CO.,LTD.

AI-Ready Camera Modules for SMART CAMERAS

Bringing Vision AI to the Edge

About Ability



TensorFlow mxnet Caffe



OpenVINO™ Customized SDK Tool



intel RFP READY intel MOVIDIUS inside intel IoT Solutions Alliance ONVIF NDA Compliant

- Founded** ● Year 1965 (1995 Listed, TWSE 2374)
 - Capital** ● US\$88 million (NT\$2.83 billion)
 - Chairman** ● Roger Tseng
 - President** ● Roger Tseng
 - Business** ● Digital Imaging Products
 - Employees** ● Taiwan-484 persons (70% R&D)
 - Headquarter** ● No.200, Sec. 3, Zhonghuan Rd., Xinzhuang Dist., New Taipei City 24242, Taiwan, R.O.C.
 - Factories** ● **Taiwan:** New Taipei Industrial Park, Xinzhuang Dist., New Taipei City
China: Huanan Industry Area, Liao Bu, Donguang City, Guang Dong Province
- 

20+ years camera ODM

Ability produces about 25% of the world's compact digital cameras, mostly on ODM basis

Digital Still Camera

Compact & Slim
Waterproof
Big Sensor
High Zoom
Interchangeable Lens
WIFI/BT/NFC



Action Camera

4K Video recording
IP 68
WIFI/BT/NFC



PC Camera



Rugged wearable

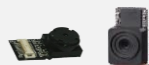


IP Camera

IP66+IK10



Camera module



- Action camera
- Wearable camera, IoT device
- Drone
- Industrial application

Automotive Device

Camera Module
Image System



AI-Box Cameras



AI-Vue Cameras



AI-Speed Dome



360 Camera

3D VR Camera
Pre Camera stitching



AI-Cube USB Cameras



AI-Vue ANPR Cameras



Camera Modules



1999~ 2002

2003

2014

2015

2016

2017

2018

2019

2020

2021

SAFER



Smart Cities

MORE EFFICIENT



Financial Services

HIGHER QUALITY



Industrial

MORE FUN



Casino Gaming

PRODUCTIVE



Transportation

RELAXING, SAFER



Home & Retail

MORE EFFICIENT



Robotics

HEALTHFUL

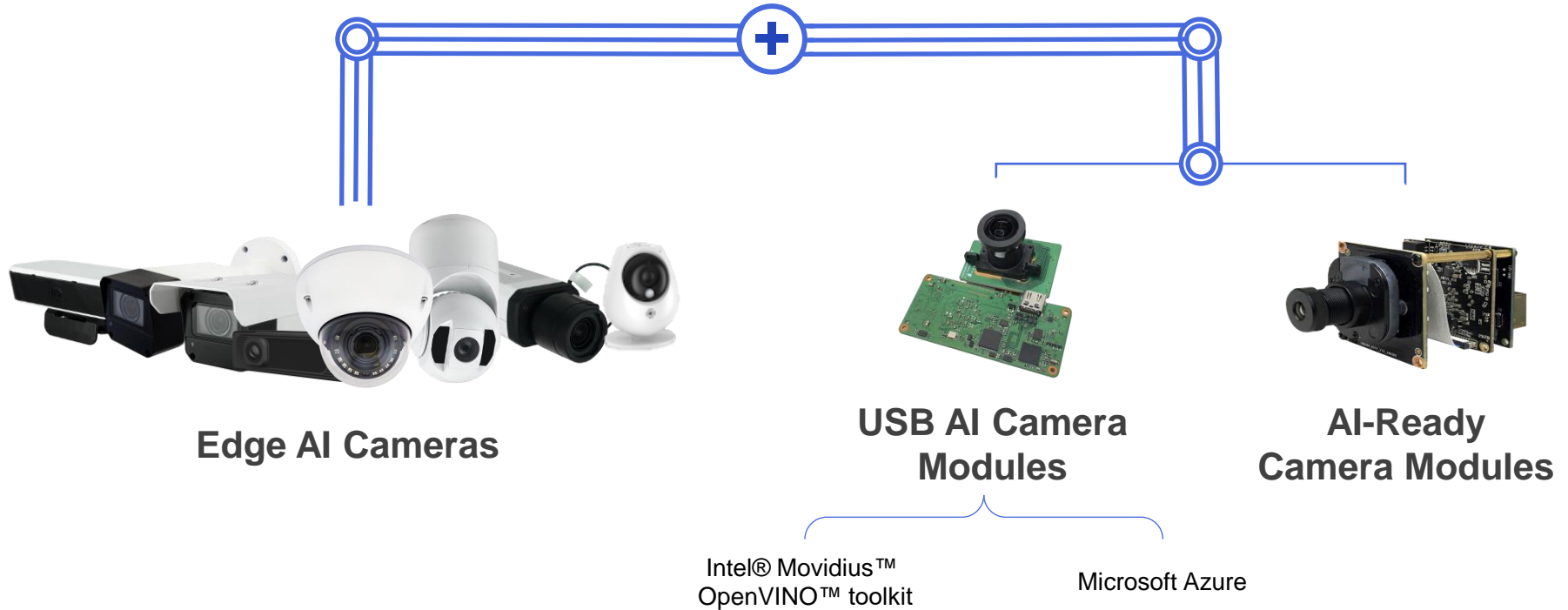


Medical Imaging

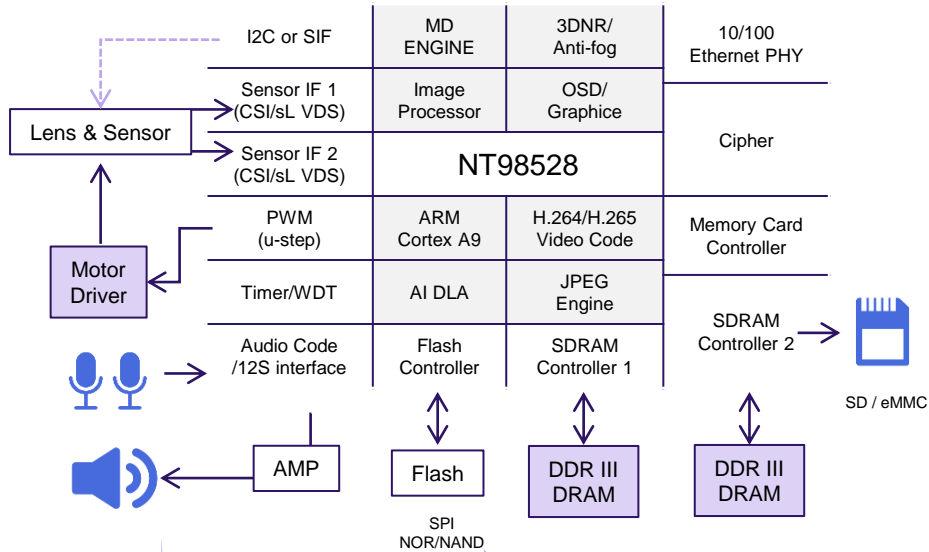


Vision Is Driving Artificial Intelligence At The Edge

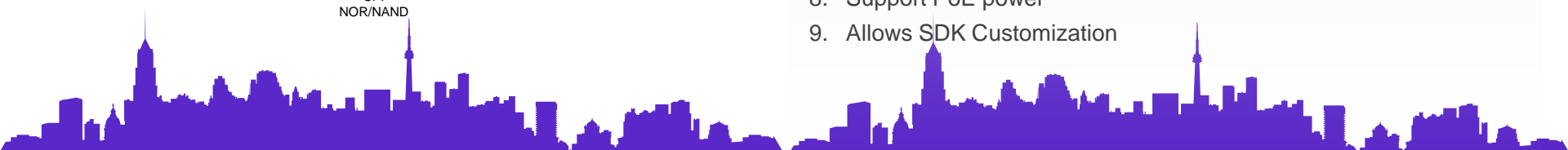
Edge AI Cameras and AI-Ready Camera Modules



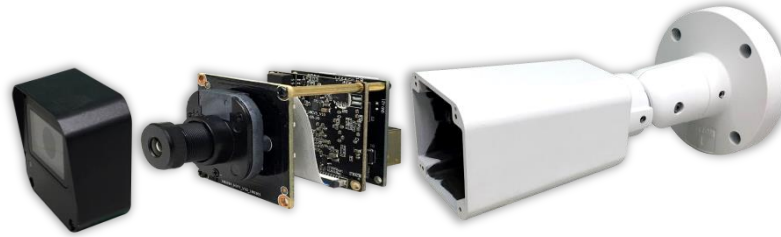
Overview of AI-Ready Camera Modules



1. Modular Design 42*42
2. Dual Core ARM® Cortex™ A9
3. Support 4Gb+4Gb
4. DLA (Deep Learning Accelerator) engine with computing power up to 1.5 TOPS
5. MD/BC Motion detection and background construction engine
6. Support up to 8M p60 or 480M pixel/sec for single sensor HDR case
7. Support H.264/AVC codec BP/MP/HP, level 5.1 H.265/HEVC codec MP, level 5.0
8. Support PoE power
9. Allows SDK Customization



Flexible Modular



IR Board



Lens



Sensor Board



MB



Power I/O



2M/5M/8M

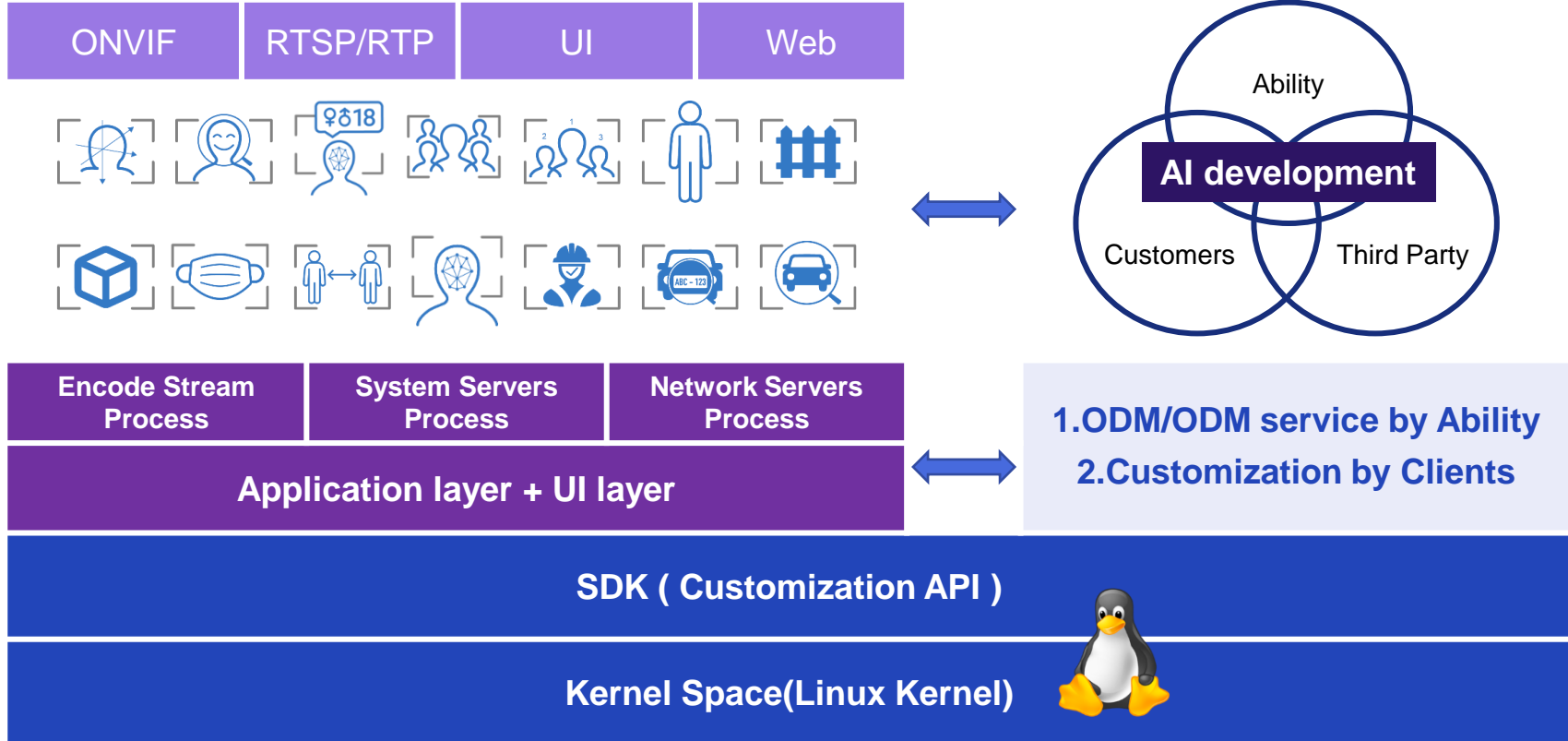


MIT SOC



- 1.PoE
- 2.PoE +DC 12V
- 3.PoE +DI/DO
- 4.PoE+DI/DO+Audio

Open Development



Benefits for Edge AI Vision Developers

AI Acceleration by Smart
Hardware Integration



Simplified
Development and
Faster Time to
Market



Stable Kits with
Multiple Certification



NDAA
Compliant 
NDAA Compliant



Free Definition to
Open Hardware
Platform and
Customization SDK



Compact Design to
Support Various ID

WE OFFER

A.  Hardware Modules **Ability**   AI Algorithm **Client**   System Software **Client**

B.  Hardware Modules **Ability**   AI Algorithm **Client**   System Software **Ability**

C.  Hardware Modules **Ability**    AI Algorithm **Third party AI**   System Software **Ability**

Full Packages to Meet All Your Needs

A world map with a network overlay of white lines and dots connecting various points across the continents, set against a dark purple background.

THANK YOU



佳能企業股份有限公司
ABILITY ENTERPRISE CO., LTD.



+886-2-8522-9788

Sales.Ability@abilitycorp.com.tw

www.abilitycorp.com.tw

