



# Single Band Vehicle Kit

WR-VEH-MULTI-SYS-0X

The Single Band Vehicle kit is designed to be installed in a vehicle. It includes metalwork, cables, MPU5, dual channel speakerbox, and HDMI touchscreen display. The enclosure should be installed inside the vehicle. Antennas should be installed on the exterior of the vehicle.

## SPECIFICATIONS

### Physical

#### Dimensions (Chassis)

9.75 x 7.87 x 3.33 in.

24.8 x 20 x 8.5 cm

### Power

The Single Band Vehicle Kit requires a power connection that provides power when the ignition is activated and does not provide power when the vehicle is off.

#### Recommended Input Voltage

12V / 24V Nominal

#### Minimum Input Voltage

9V

#### Maximum Input Voltage

36V

#### Maximum Current Output

6.3A

#### Maximum Power

151W

### Environmental

Entire system is splashproof IP44 or better when installed. See Environmental specifications for individual components

### I/O

#### Interfaces

(2) USB Type A Receptacle

(1) HDMI Out Receptacle

(1) Ethernet (GTC IP67)

#### Included Parts (P/N - Spec Sheet Document Number):

Chassis:

WR-VEH-MULTI-SYS-02: High Power L-Band RF Module

WR-VEH-MULTI-SYS-03: Lower C-Band RF Module

WR-VEH-MULTI-SYS-04: High Power S-Band RF Module

MPU5 Chassis, no battery (WR-5100-NB - 03EN070)

GPS Antenna (ANT-4101L - 03EN145)

Dual PTT (WR-PTT-SYS-03 - 03EN205)

Dual Channel Speakerbox (WR-SPKR-SYS-01 - 03EN361)

10" Touch Display (ACC-EUD-0005 - 03EN422)

Power and Data Cables

RAM Mounting Hardware

Power Supply

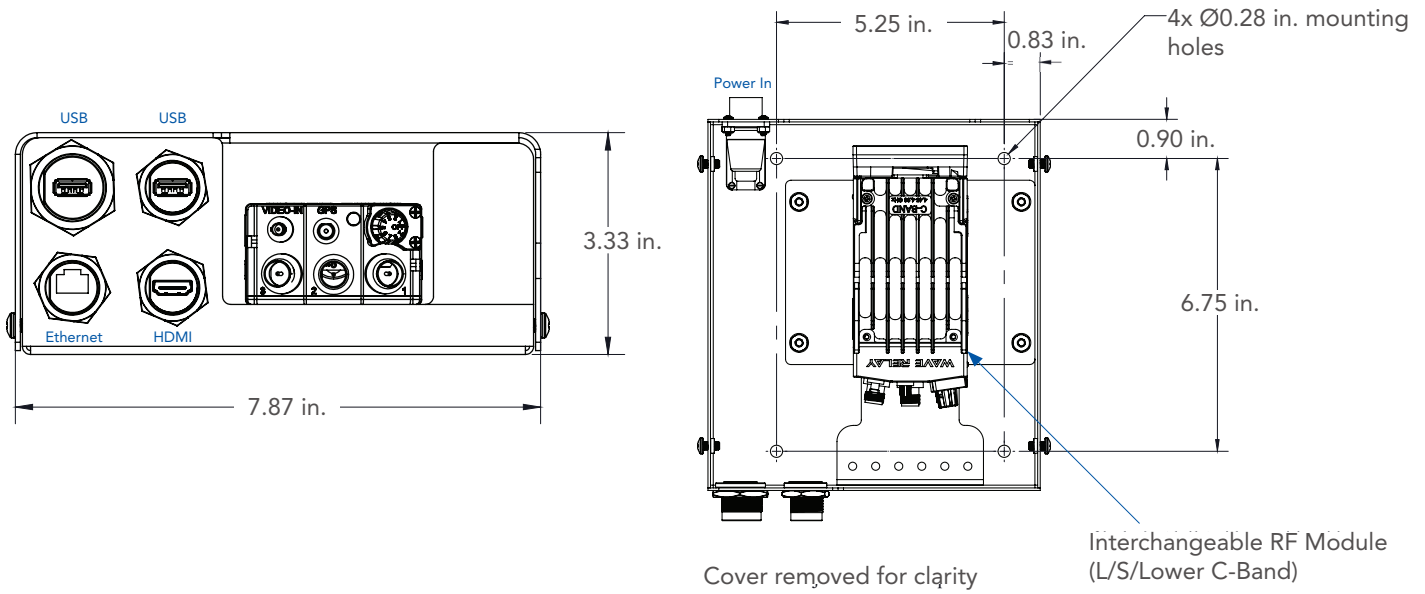
RF Cables and antennas are not included

## NO NDA REQUIRED

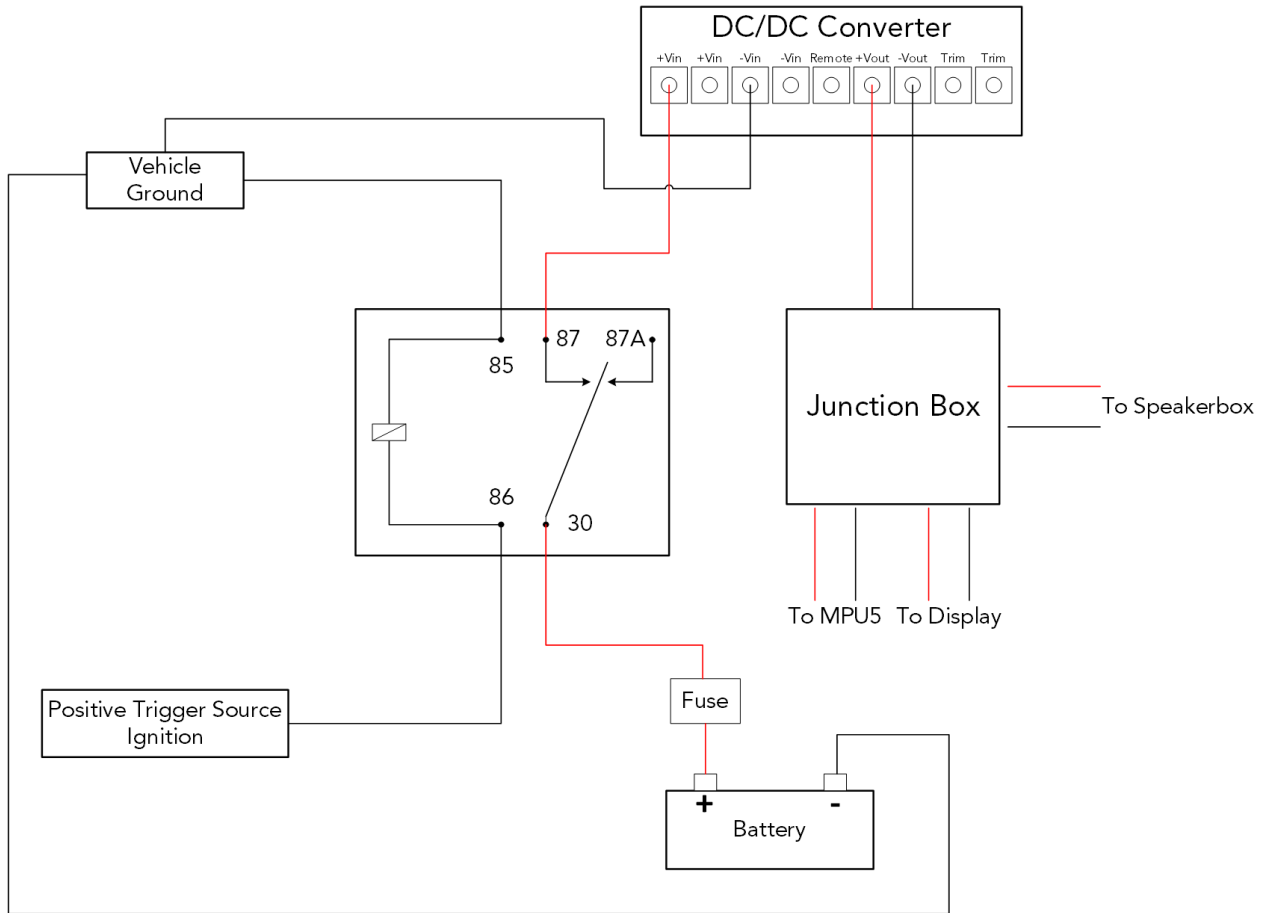
© 2006 - 2023 Persistent Systems, LLC. All rights reserved. The Wave Relay® logo, the Persistent Systems, LLC logo and other designated trademarks and trade names are the property of Persistent Systems, LLC or their respective owners. Product specifications are subject to change without notice. This material is provided for informational purposes only; Persistent Systems, LLC assumes no liability related to its use and expressly disclaims any implied warranties of merchantability or fitness for any particular purpose.

The export and/or the release of certain products, technology and software to non-US persons might be subject to export restrictions. Please refer to the US export laws & regulations for details.

See PS DWG 134701 for additional details.



## Power Diagram



**NO NDA REQUIRED**

© 2006 - 2023 Persistent Systems, LLC. All rights reserved. The Wave Relay® logo, the Persistent Systems, LLC logo and other designated trademarks and trade names are the property of Persistent Systems, LLC or their respective owners. Product specifications are subject to change without notice. This material is provided for informational purposes only; Persistent Systems, LLC assumes no liability related to its use and expressly disclaims any implied warranties of merchantability or fitness for any particular purpose.

The export and/or the release of certain products, technology and software to non-US persons might be subject to export restrictions. Please refer to the US export laws & regulations for details.